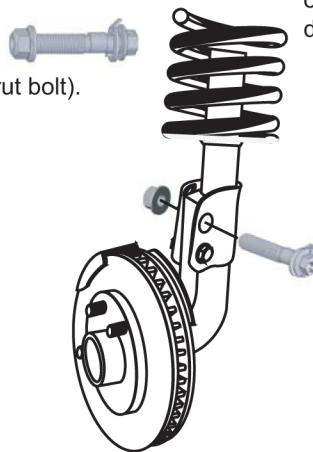


Axis Cam Bolt System

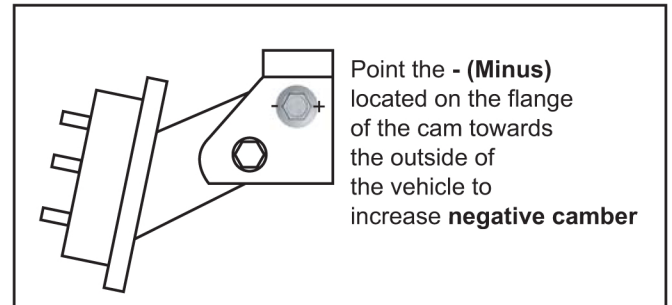
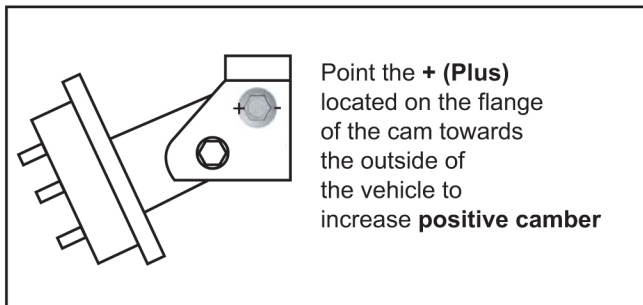
1. Inspect vehicle for damaged or worn parts and repair as necessary. Take camber reading to determine the amount of adjustment needed.
2. Raise vehicle and allow the suspension to hang free.
3. Remove wheel assembly (optional).
4. Remove the upper strut bolt (do not at this time loosen lower strut bolt).
5. Insert adjusting cam with washer through the strut/spindle assembly in the same direction the OE bolt came out (snug but do not tighten at this time).
6. Loosen lower strut bolt. On models with splined spindle bolt, drive bolt out until the splines are free from the flange.
7. Reinstall tire/wheel assembly and alignment equipment or simply use camber gauge.
8. Adjust the cam bolt until the desired camber is achieved.
9. **Tighten all bolts and torque to, but DO NOT EXCEED, TORQUE SPECIFICATIONS.**

Install adjusting cam, with the washer already on bolt, into the strut housing in the same direction the OE bolt came out.



Part Size Torque Specifications

12mm	60ft. lbs.
14mm	100 ft. lbs
15mm	100 ft. lbs
16mm	150 ft. lbs
17mm	150 ft. lbs

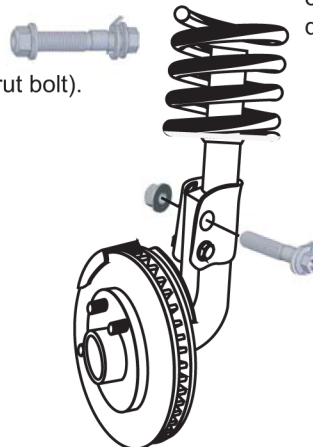


95-247-1006

Axis Cam Bolt System

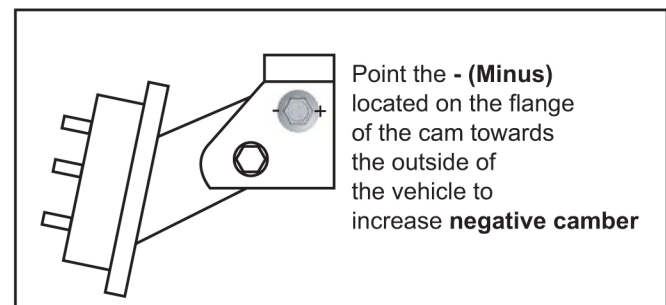
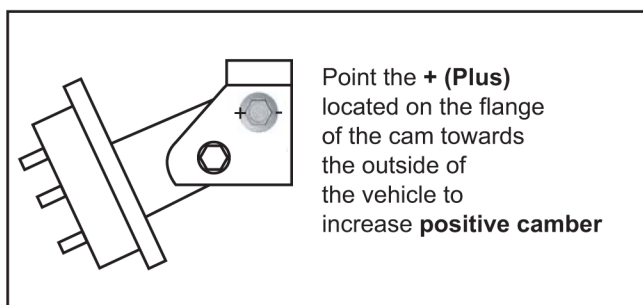
1. Inspect vehicle for damaged or worn parts and repair as necessary. Take camber reading to determine the amount of adjustment needed.
2. Raise vehicle and allow the suspension to hang free.
3. Remove wheel assembly (optional).
4. Remove the upper strut bolt (do not at this time loosen lower strut bolt).
5. Insert adjusting cam with washer through the strut/spindle assembly in the same direction the OE bolt came out (snug but do not tighten at this time).
6. Loosen lower strut bolt. On models with splined spindle bolt, drive bolt out until the splines are free from the flange.
7. Reinstall tire/wheel assembly and alignment equipment or simply use camber gauge.
8. Adjust the cam bolt until the desired camber is achieved.
9. **Tighten all bolts and torque to, but DO NOT EXCEED, TORQUE SPECIFICATIONS.**

Install adjusting cam, with the washer already on bolt, into the strut housing in the same direction the OE bolt came out.



Part Size Torque Specifications

12mm	60ft. lbs.
14mm	100 ft. lbs
15mm	100 ft. lbs
16mm	150 ft. lbs
17mm	150 ft. lbs



95-247-1006